

■ FEATURES

To be high saturation for surface mounting.
 Low profile.
 Low DC resistance and for large currents.

■ APPLICATIONS

Ideal for a variety of DC/DC converter inductor applications.
 Portable communication equipment.
 LCD televisions.

■ PRODUCT IDENTIFICATION

① ② ③ ④ ⑤

MSCDRI - 63B - 100 M □ □

- ① Product Code
- ② Dimensions
- ③ Inductance Code
- ④ Tolerance Code
- ⑤ Pattern Code

■ PRODUCT SERIES

	Dimension in m/m			
	Part No.	A±0.4	B±0.4	C±0.5
	MSCDRI-63B	6.5	5.5	3.2
	MSCDRI-74B	7.5	7.0	4.5
MSCDRI-105B	10.0	9.0	5.2	

	Dimension in m/m						
	Part No.	A±0.3	B±0.3	C(Max)	D	E	F
	MSCDRI-6020B	6.3	6.0	2.0	4.8	0.6	2.2
	MSCDRI-6025B	6.3	6.0	2.5	4.8	0.6	2.2
MSCDRI-6030B	6.3	6.0	3.0	4.8	0.6	2.2	

WIRE WOUND TYPE

■ PRODUCT SPECIFICATIONS

Part No.	Inductance (μ H)	DC Resistance(Ω)Max.						Permissible DC Current(A)Max.					
		63B	74B	105B	6020B	6025B	6030B	63B	74B	105B	6020B	6025B	6030B
1R0	1.0				0.016	0.015	0.015				3.50	3.43	3.59
1R5	1.5				0.021	0.020	0.018				2.94	2.83	2.93
2R0	2.0				0.028	0.024					2.47	2.44	
3R3	3.3				0.047	0.034					1.99	1.89	
4R7	4.7				0.065		0.038				1.59		1.66
6R8	6.8				0.098						1.37		
8R2	8.2				0.102						1.25		
100	10	0.14	0.07	0.060	0.118	0.090	0.069	1.00	1.50	2.06	1.22	1.07	1.14
120	12	0.16	0.07	0.070	0.153	0.105	0.073	0.94	1.30	1.94	0.99	0.97	1.04
150	15	0.18	0.08	0.070	0.179	0.122	0.087	0.86	1.22	1.72	0.94	0.87	0.93
180	18	0.25	0.10	0.080	0.207	0.154	0.104	0.78	1.13	1.58	0.83	0.79	0.85
220	22	0.32	0.12	0.080	0.253	0.182	0.133	0.76	1.08	1.42	0.80	0.71	0.77
270	27	0.36	0.16	0.100	0.330	0.238	0.168	0.64	0.84	1.32	0.65	0.64	0.70
330	33	0.41	0.18	0.110	0.368	0.273	0.196	0.61	0.78	1.16	0.63	0.58	0.63
390	39	0.47	0.18	0.120	0.473	0.343	0.210	0.53	0.74	1.10	0.55	0.53	0.58
470	47	0.51	0.27	0.140	0.542	0.406	0.259	0.50	0.66	1.00	0.50	0.48	0.53
560	56	0.72	0.29	0.190		0.483	0.308	0.46	0.64	0.93		0.44	0.48
680	68	0.82	0.33	0.210		0.560	0.378	0.42	0.54	0.85		0.40	0.44
820	82		0.43	0.280		0.651	0.462		0.52	0.79		0.36	0.40
101	100		0.49	0.340		0.910	0.581		0.42	0.72		0.33	0.36
121	120		0.68	0.370		0.994	0.527		0.40	0.63		0.30	0.32
151	150		0.94	0.510		1.251	0.627		0.35	0.55		0.28	0.31
181	180		1.00	0.570		1.652	0.781		0.33	0.50		0.26	0.29
221	220		1.18	0.780		2.126	1.043		0.32	0.47		0.24	0.27
271	270		1.30	0.870		2.391	1.321		0.28	0.41		0.22	0.25
331	330			1.200		3.183	1.789			0.37		0.20	0.23
391	390			1.340		3.510	1.995			0.35		0.19	0.21
471	470			1.500		3.950	2.286			0.33		0.19	0.21

1. TEST FREQ. (L)MSCDRI-63B,74B,105B : 1~82 μ H@ 1KHz/250mV 100~470 μ H@ 100KHz /250mV MSCDRI-6020B,6025B,6030B : 1KHz/250mV
2. TOLERANCE OF INDUCTANCE: 1.0~8.2 μ H \pm 30%(N) 10~4700 μ H \pm 20%(M)
3. The max. permissible DC current is the DC current applied which causes 10% (30% for MSCDRI-6020B, 6025B, 6030B) reduction of its initial inductance value, or the coil temperature to rise by 40°C, whichever is lower.

■ **FEATURES**

To be high saturation for surface mounting.
Low DC resistance for large currents.

■ **APPLICATIONS**

Ideal for a variety of DC/DC converter inductor applications.
Portable communication equipment.
Computer Peripherals
Cable / ADSL Modems

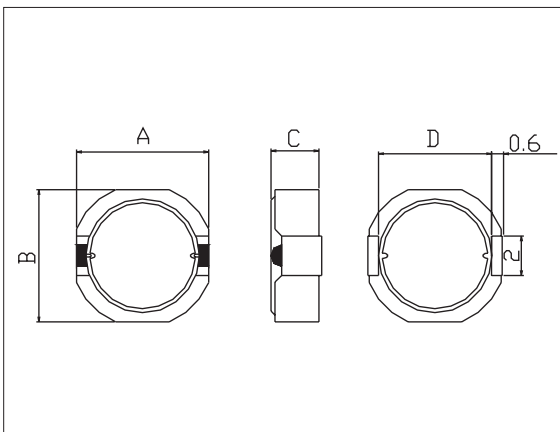
■ **PRODUCT IDENTIFICATION**

① ② ③ ④ ⑤

MSCDRI - 6020L - 100M □ □

- ① Product Code
- ② Dimensions Code
- ③ Inductance Code
- ④ Tolerance Code
- ⑤ Pattern Code

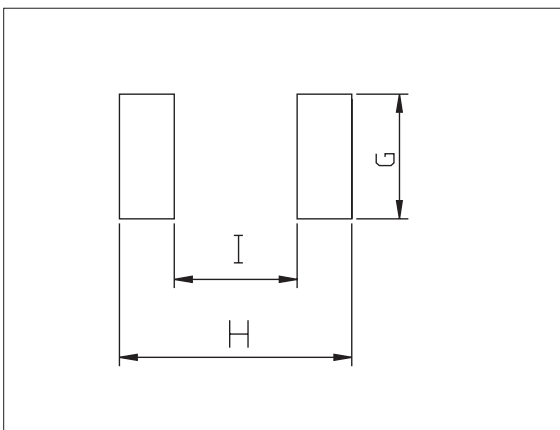
■ **PRODUCT SERIES**



NOTES: DIMENSION IN mm

PART NO.	A	B	C	D
MSCDRI-6020L	6.3 Max.	6.2 Max.	2.0 Max.	4.8 Typ.
MSCDRI-6025L	6.3 Max.	6.2 Max.	2.5 Max.	4.8 Typ.
MSCDRI-6030L	6.3 Max.	6.2 Max.	3.0 Max.	4.8 Typ.
MSCDRI-6035L	6.3 Max.	6.2 Max.	3.5 Max.	4.8 Typ.

■ **LAND PATTERN**



NOTES: DIMENSION IN mm

PART NO.	G	H	I
MSCDRI-6020L	2.6	6.6	4.6
MSCDRI-6025L	2.6	6.6	4.6
MSCDRI-6030L	2.6	6.6	4.6
MSCDRI-6035L	2.6	6.6	4.6

WIRE WOUND TYPE

■ PRODUCT SPECIFICATIONS

Part No.	Inductance (μ H)	DC Resistance(m Ω)Typ.				Permissible DC Current(A)Max.			
		6020L	6025L	6030L	6035L	6020L	6025L	6030L	6035L
1R0	1.0	14	11	11		3.50	3.48	3.59	
1R5	1.5	17	14	13		2.94	2.83	2.93	
2R0	2.0	24	17		16.0	2.47	2.44		2.997
2R2	2.2			16				2.42	
2R7	2.7				18.3				2.691
3R3	3.3	39	24		21.4	1.99	1.89		2.573
3R6	3.6			21				1.89	
4R3	4.3		31				1.65		
4R7	4.7	55		27	26.3	1.59		1.66	2.084
6R2	6.2	62	43	32	29.1	1.49	1.37	1.45	1.835
8R2	8.2	85			36.2	1.25			1.542
100	10	98	64	49	41.2	1.22	1.07	1.14	1.491
120	12	128	75	52	51.7	0.99	0.97	1.04	1.282
150	15	149	87	62	64.1	0.94	0.87	0.93	1.103
180	18	172	110	74	67.9	0.83	0.79	0.85	1.046
220	22	211	130	95	88.4	0.80	0.71	0.77	0.968
270	27	275	170	120	117	0.65	0.64	0.70	0.821
330	33	306	195	140	135	0.63	0.58	0.63	0.755
390	39	394	245	150	159	0.55	0.53	0.58	0.700
470	47	452	290	185	174	0.50	0.48	0.53	0.677
560	56		345	220	214		0.44	0.48	0.602
680	68		400	270	266		0.40	0.44	0.556
820	82		465	330	349		0.36	0.40	0.468
101	100		650	415	397		0.33	0.36	0.449
151	150			615	553			0.31	0.367

1. TEST FREQ. (L):@ 10KHz/250mV
2. TOLERANCE OF INDUCTANCE: 1.0~150 μ H \pm 20%(M)
3. The max. permissible DC current is the DC current applied which causes 30% .
reduction of its initial inductance value.

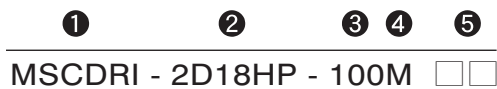
■ FEATURES

- Available in magnetically shielded.
- Low DC resistance.
- Suitable for large currents.
- Ideal for a variety of DC-DC converter inductor applications.
- Available on tape and reel for auto surface mounting.

■ APPLICATIONS

- Power supply for VTRs. OA equipment. LCD televisions.
- Portable communication equipment. DC/DC converters, etc.

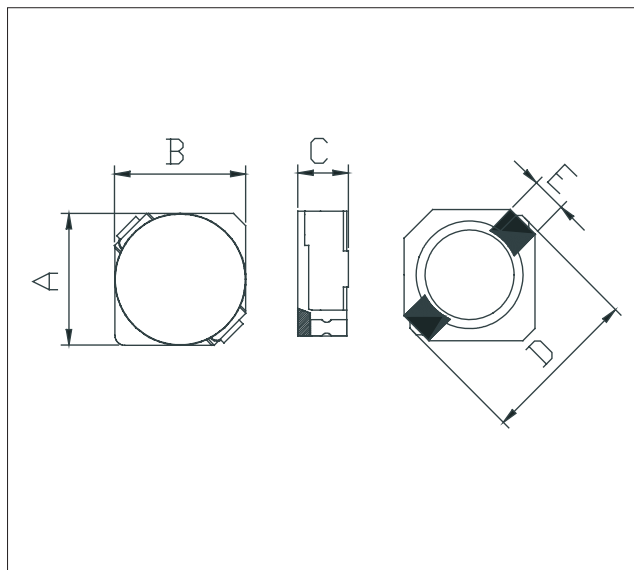
■ PRODUCT IDENTIFICATION



- ① Product Code
- ② Dimensions Code
- ③ Inductance Code
- ④ Tolerance Code
- ⑤ Pattern Code

■ PRODUCT SERIES

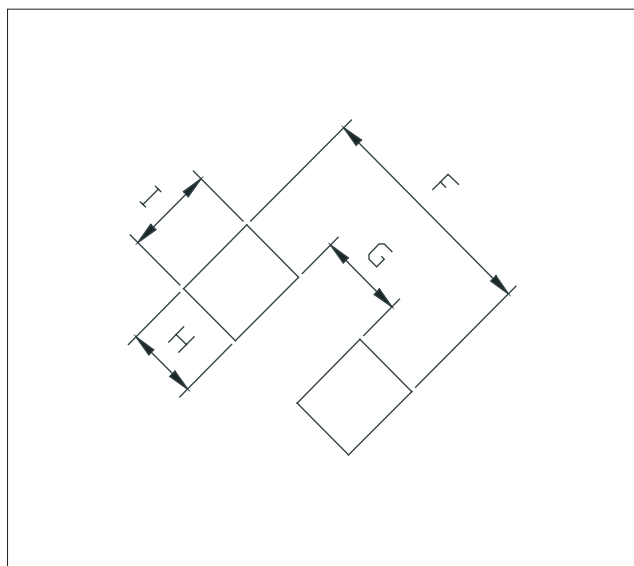
Dimension in mm



Part No.	A	B	C	D	E
MSCDRI-2D09C	3.2 ⁺⁰	3.2 ⁺⁰	1.0 ⁺⁰	4.5 ⁺⁰	1.0Typ.
MSCDRI-2D11LD	3.2 ⁺⁰	3.2 ⁺⁰	1.2 ⁺⁰	4.5 ⁺⁰	1.0Typ.
MSCDRI-2D11HP	3.2 ⁺⁰	3.2 ⁺⁰	1.2 ⁺⁰	4.5 ⁺⁰	1.0Typ.
MSCDRI-2D14S	3.2 ⁺⁰	3.2 ⁺⁰	1.5 ⁺⁰	4.5 ⁺⁰	1.0Typ.
MSCDRI-2D18LD	3.2 ⁺⁰	3.2 ⁺⁰	2.0 ⁺⁰	4.5 ⁺⁰	1.0Typ.
MSCDRI-2D18HP	3.2 ⁺⁰	3.2 ⁺⁰	2.0 ⁺⁰	4.5 ⁺⁰	1.0Typ.
MSCDRI-3D14LD	4.0 ⁺⁰	4.0 ⁺⁰	1.5 ⁺⁰	5.2 ⁺⁰	1.1Typ.
MSCDRI-3D14HP	4.0 ⁺⁰	4.0 ⁺⁰	1.5 ⁺⁰	5.2 ⁺⁰	1.1Typ.
MSCDRI-3D16LD	4.0 ⁺⁰	4.0 ⁺⁰	1.8 ⁺⁰	5.2 ⁺⁰	1.1Typ.
MSCDRI-3D16HP	4.0 ⁺⁰	4.0 ⁺⁰	1.8 ⁺⁰	5.2 ⁺⁰	1.1Typ.

■ LAND PATTERNS

Dimension in mm



Part No.	F	G	H	I
MSCDRI-2D09C	4.3	1.7	1.3	1.3
MSCDRI-2D11LD	4.3	1.7	1.3	1.3
MSCDRI-2D11HP	4.3	1.7	1.3	1.3
MSCDRI-2D14S	4.3	1.7	1.3	1.3
MSCDRI-2D18LD	4.3	1.7	1.3	1.3
MSCDRI-2D18HP	4.3	1.7	1.3	1.3
MSCDRI-3D14LD	5.2	2.4	1.4	1.5
MSCDRI-3D14HP	5.2	2.4	1.4	1.5
MSCDRI-3D16LD	5.2	2.4	1.4	1.5
MSCDRI-3D16HP	5.2	2.4	1.4	1.5

WIRE WOUND TYPE

■ PRODUCT SPECIFICATIONS

Part No.	Inductance (μH)	DC Resistance (Ω) Max.									Permissible DC Current (A) Max.										
		2D09C	2D11LD	2D11HP	2D14S	2D18LD	2D18HP	3D14LD	3D14HP	3D16LD	3D16HP	2D09C	2D11LD	2D11HP	2D14S	2D18LD	2D18HP	3D14LD	3D14HP	3D16LD	3D16HP
1R2	1.2	0.078						0.038			0.83						1.50				
1R5	1.5	0.088	0.068	0.080	0.063			0.048	0.076		0.70	0.90	1.35	1.80			1.35	2.60			
1R7	1.7						0.044			0.051						1.85					2.00
1R8	1.8				0.075									1.65							
2R0	2.0							0.055									1.15				
2R2	2.2		0.098	0.120	0.094	0.041	0.060			0.059		0.78	1.10	1.50	0.85	1.60					1.75
2R4	2.4	0.119							0.129		0.58								2.00		
2R5	2.5							0.068									1.05				
2R7	2.7				0.106									1.35							
3R0	3.0							0.077											0.95		
3R2	3.1								0.139										1.80		
3R3	3.3	0.174			0.125	0.054	0.086			0.066	0.085	0.50			1.20	0.75	1.45			0.80	1.40
3R9	3.9		0.123	0.135	0.138			0.096		0.081		0.60	0.90	1.10			0.80		0.75		
4R5	4.5							0.105									0.75	1.45			
4R7	4.7	0.209			0.169	0.078	0.140		0.214	0.091	0.116	0.42			1.00	0.63	1.20			0.68	1.20
5R6	5.6		0.17	0.238	0.188			0.159		0.102		0.50	0.75	0.95			0.70		0.62		
6R3	6.3						0.16									1.05					
6R4	6.4	0.29									0.36								1.20		
6R8	6.8				0.213	0.106		0.173	0.29	0.130	0.180		0.63	0.85	0.52		0.60		0.58	1.00	
8R2	8.2	0.36	0.26	0.371	0.281					0.140		0.32	0.44	0.52	0.80				1.00	0.51	
100	10	0.50	0.40	0.559	0.294	0.18	0.245	0.220	0.44	0.190	0.230	0.30	0.35		0.70	0.43	0.85	0.50		0.46	0.84
120	12	0.55			0.394			0.270		0.205		0.27		0.62			0.45	0.80	0.42		
150	15	0.65				0.22	0.345	0.302	0.65	0.272	0.410	0.24			0.35	0.53	0.40		0.38	0.65	
180	18	0.77								0.327		0.22							0.65	0.34	
220	22	0.94				0.32		0.447	0.83	0.356	0.610	0.20			0.30		0.35		0.31	0.55	
270	27	1.11								0.470		1.16								0.28	
330	33					0.46		0.848		0.560	0.870				0.24		0.30		0.26	0.46	
390	39									0.700										0.24	
470	47					0.66		1.08		0.775					0.20		0.25		0.21		

1. TEST FREQ. (L): @100KHz/250mV

2. TOLERANCE OF INDUCTANCE 1.2~8.2 μH ± 30%(N) 10~47 μH ± 20%(M)

3. The max. permissible DC current is the DC current applied which causes 35% reduction of its initial inductance value.

■ FEATURES

Available in magnetically shielded.
 Low DC resistance.
 Suitable for large currents.
 Ideal for a variety of DC-DC converter inductor applications.
 Available on tape and reel for auto surface mounting.

■ APPLICATIONS

Power supply for VTRs. OA equipment. LCD televisions.
 Portable communication equipment. DC/DC converters, etc.

■ PRODUCT IDENTIFICATION

① ② ③ ④ ⑤

 MSCDRI - 4D18C - 100M □ □

- ① Product Code
- ② Dimensions Code
- ③ Inductance Code
- ④ Tolerance Code
- ⑤ Pattern Code

■ PRODUCT SERIES

Dimension in mm

Part No.	A	B	C	D	E	F
MSCDRI-4D18C	5.1 ⁺⁰	5.1 ⁺⁰	2.0 ⁺⁰	4.4	6.2 ⁺⁰	1.4
MSCDRI-4D28C	5.1 ⁺⁰	5.1 ⁺⁰	3.0 ⁺⁰	4.4	6.2 ⁺⁰	1.4

■ LAND PATTERNS

Dimension in mm

Part No.	G	H	I
MSCDRI-4D18C	6.5	4.0	2.0
MSCDRI-4D28C	6.5	4.0	2.0

WIRE WOUND TYPE

■ PRODUCT SPECIFICATIONS

Part No.	Inductance (μ H)	DC Resistance(m Ω)Max.		Permissible DC Current(A)Max.	
		4D18C	4D28C	4D18C	4D28C
1R1	1.1	29	22	2.4	3.8
2R0	2.0		29		2.6
2R2	2.2	39		1.7	
2R7	2.7				
3R0	3.0	61		1.5	
3R2	3.2		42		2.3
3R3	3.3				
3R9	3.9				
4R7	4.7	110	63	1.15	1.8
5R6	5.6				
6R3	6.3		94		1.3
6R8	6.8	125		1.05	
8R2	8.2				
100	10	156	106	0.83	1.26
120	12				
150	15	194	137	0.70	1.05
180	18				
220	22	323	207	0.60	0.85
270	27				
330	33	550	331	0.46	0.70
390	39				
470	47	783	510	0.41	0.54
560	56				
680	68	1160	625	0.305	0.49
820	82				
101	100	1510	948	0.25	0.40

1. TEST FREQ. (L): @ 100KHz/250mV
2. TOLERANCE OF INDUCTANCE: 1.1~100 μ H \pm 25%(N)
3. The max. permissible DC current is the DC current applied which causes 35% . reduction of its initial inductance value, or the coil temperature to rise by 40°C, whichever is lower.

■ FEATURES

Compact and thin.

Large permissible D.C. current and low D.C. resistance..

■ APPLICATIONS

DC/DC converter

Camcorder, LCD television set, Digital still camera, P.D.A. Notebook.

Small size communication equipment.

■ PRODUCT IDENTIFICATION

① ② ③ ④ ⑤
 MSCDRI - 3D16 - 100M □ □

- ① Product Code
- ② Dimensions Code
- ③ Inductance Code
- ④ Tolerance Code
- ⑤ Pattern Code

■ PRODUCT SERIES

Dimension in mm

Part No.	A	B	C	D	E	F
MSCDRI-3D16	3.8±0.3	3.8±0.3	1.8Max	3.7	3.7	1.2
MSCDRI-4D18	4.7±0.3	4.7±0.3	2.0Max.	4.5	4.5	1.5
MSCDRI-4D28	4.7±0.3	4.7±0.3	3.0Max.	4.5	4.5	1.5
MSCDRI-5D18	5.7±0.3	5.7±0.3	2.0Max.	5.5	5.5	2.0
MSCDRI-5D28	5.7±0.3	5.7±0.3	3.0Max.	5.5	5.5	2.0
MSCDRI-6D28	6.7±0.3	6.7±0.3	3.0Max.	6.5	6.5	2.0
MSCDRI-6D38	6.7±0.3	6.7±0.3	4.0Max.	6.5	6.5	2.0
MSCDRI-103R	10±0.5	10±0.5	3.1Max.	1.2	7.7	3.0
MSCDRI-104R	10±0.5	10±0.5	4.1Max.	1.2	7.7	3.0
MSCDRI-105R	10±0.5	10±0.5	5.1Max	1.2	7.7	3.0

■ LAND PATTERNS

Dimension in mm

MSCDRI-3D16~3D38

MSCDRI-103R~105R

Part No.	G	H	I
MSCDRI-3D16	1.6	1.2	4.3
MSCDRI-4D18	1.9	1.5	5.3
MSCDRI-4D28	1.9	1.5	5.3
MSCDRI-5D18	2.15	2.0	6.3
MSCDRI-5D28	2.15	2.0	6.3
MSCDRI-6D28	2.65	2.0	7.3
MSCDRI-6D38	2.65	2.0	7.3
MSCDRI-103R	1.7	7.4	3.6
MSCDRI-104R	1.7	7.4	3.6
MSCDRI-105R	1.7	7.4	3.6

■ PRODUCT SPECIFICATIONS

Part No.	Inductance (μ H)	DC Resistance(Ω)Max.										Permissible DC Current(A)Max.									
		3D16	4D18	4D28	5D18	5D28	6D28	6D38	103R	104R	105R	3D16	4D18	4D28	5D18	5D28	6D28	6D38	103R	104R	105R
1R0	1.0		0.045							0.0065			1.72							10.0	
1R2	1.2			0.0236										2.56							
1R5	1.5								0.011	0.0081	0.0058								8.00	10.0	8.30
1R8	1.8			0.0275										2.20							
2R2	2.2	0.072	0.075	0.0313					0.0169		0.072	1.20	1.32	2.04					6.70		7.50
2R5	2.5									0.0105										7.50	
2R6	2.6					0.018									2.60						
2R7	2.7		0.105	0.0433									1.28	1.60							
3R0	3.0					0.024	0.024								2.40	3.00					
3R3	3.3	0.085	0.110	0.492				0.02	0.021		0.0104	1.10	1.04	1.57				3.50	5.56		6.50
3R8	3.8									0.013										6.00	
3R9	3.9		0.155	0.0648				0.027					0.88	1.44		2.60					
4R1	4.1				0.057										1.95						
4R2	4.2					0.031										2.20					
4R7	4.7	0.11	0.162	0.0720					0.030		0.0123	0.90	0.84	1.32					4.65		6.10
5R0	5.0						0.031	0.024								2.40	2.90				
5R2	5.2									0.022										5.50	
5R3	5.3					0.038									1.90						
5R4	5.4				0.076									1.60							
5R6	5.6		0.170	0.1009								0.80	1.17								
6R0	6.0						0.035									2.25					
6R2	6.2	0.16			0.096	0.045		0.027				0.80			1.40	1.80		2.50			
6R8	6.8		0.200	0.1089					0.035	0.027	0.018		0.76	1.12					3.84	4.80	5.40
7R0	7.0																				
7R3	7.3						0.054									2.10					
7R4	7.4							0.031										2.30			
8R2	8.2		0.245	0.1175		0.053			0.050		0.020		0.68	1.04		1.60			3.54		5.00
8R6	8.6						0.058	0.034									1.85	2.20			
8R9	8.9				0.116										1.25						
100	10	0.21	0.260	0.1283	0.124	0.065	0.065	0.038	0.059	0.035	0.026	0.55	0.61	1.00	1.20	1.30	1.70	2.00	3.18	4.40	4.50
120	12		0.280	0.1316	0.153	0.076	0.070	0.053			0.033		0.56	0.84	1.10	1.20	1.55	1.70			3.80
150	15	0.29	0.310	0.1490	0.196	0.103	0.084	0.057	0.091	0.050	0.041	0.42	0.50	0.76	0.97	1.10	1.40	1.60	2.60	3.60	3.40
180	18		0.338	0.1660	0.210	0.110	0.095	0.092			0.046		0.48	0.72	0.85	1.00	1.32	1.50			3.10
220	22	0.35	0.397	0.2350	0.290	0.122	0.128	0.096	0.143	0.073	0.061	0.35	0.41	0.70	0.80	0.90	1.20	1.30	2.16	2.90	2.90
270	27		0.441	0.2610	0.330	0.175	0.142	0.109	0.18		0.069		0.35	0.58	0.75	0.85	1.05	1.20	1.80		2.60
330	33	0.47	0.694	0.3780	0.386	0.189	0.165	0.124	0.202	0.093	0.084	0.32	0.32	0.56	0.65	0.75	0.97	1.10	1.74	2.30	2.50
390	39		0.709	0.3837	0.520	0.212	0.210	0.138	0.25		0.106		0.30	0.50	0.57	0.70	0.86	1.00	1.60		2.25
470	47	0.99		0.5870	0.595	0.260	0.238	0.155	0.299	0.128	0.130	0.24		0.48	0.54	0.62	0.80	0.95	1.43	2.10	2.00
560	56			0.6245	0.665	0.305	0.277	0.21	0.325	0.18	0.149			0.41	0.50	0.58	0.73	0.85	1.36	1.70	1.90
680	68	1.10		0.6990	0.840	0.355	0.304	0.234	0.429	0.213	0.201	0.22		0.35	0.43	0.52	0.65	0.75	1.22	1.50	1.60
820	82			0.9148	0.978	0.460	0.390	0.324	0.494		0.227			0.32	0.41	0.46	0.60	0.70	1.14		1.45
101	100	1.40		1.02	1.15	0.520	0.535	0.358	0.683	0.304	0.253	0.17		0.29	0.36	0.42	0.54	0.65	1.02	1.35	1.35
121	120			1.27					0.754					0.27					0.89		
151	150			1.35					0.871	0.506				0.24					0.84	1.15	
181	180			1.54										0.22							
221	220									0.756										0.92	
331	330									1.090										0.72	

WIRE WOUND TYPE

1. TEST FREQ. (L): @100KHz/250mV

2. TOLERANCE OF INDUCTANCE 1~8.2 μ H \pm 30%(N) 10~330 μ H \pm 20%(M)

3. The max. permissible DC current is the DC current applied which causes 35% reduction of its initial inductance value, or the coil temperature to rise by 40°C, whichever is lower.

■ FEATURES

Low DC resistance & for large currents
Flat bottom surface allows for reliable mounting onto the board.
Available on tape and reel for surface mounting.

■ APPLICATIONS

Ideal for a variety of DC/DC converter inductor applications.
Portable telephones.
Personable computers.

■ PRODUCT IDENTIFICATION

① ② ③ ④ ⑤
MSCDRI - 73F - 100M □ □

- ① Product Code
- ② Dimensions Code
- ③ Inductance Code
- ④ Tolerance Code
- ⑤ Pattern Code

■ PRODUCT SERIES

Dimension in mm

Part No.	A	B	C	D	E
MSCDRI-6025F	6.0±0.3	6.0±0.3	2.5±0.3	2.0±0.2	4.0Typ.
MSCDRI-63F	6.0±0.3	6.0±0.3	2.8±0.3	2.0±0.2	4.0Typ.
MSCDRI-7028F	7.0±0.3	7.0±0.3	2.8±0.3	2.0±0.2	4.2Typ.
MSCDRI-73F	7.0±0.3	7.0±0.3	3.2±0.3	2.0±0.2	4.2Typ.
MSCDRI-75F	7.0±0.3	7.0±0.3	4.5±0.3	2.0±0.2	4.2Typ.
MSCDRI-105F	10.0±0.3	10.0±0.3	4.5±0.3	3.0±0.2	6.0Typ.
MSCDRI-125F	12.5±0.3	12.5±0.3	5.5±0.3	3.0±0.2	8.5Typ.
MSCDRI-126F	12.5±0.3	12.5±0.3	6.5±0.3	3.0±0.2	8.5Typ.
MSCDRI-127F	12.5±0.3	12.5±0.3	7.5±0.3	3.0±0.2	8.5Typ.

■ LAND PATTERNS

Dimension in mm

Part No.	F	G	H
MSCDRI-6025F	2.2	1.5	4.0
MSCDRI-63F	2.2	1.5	4.0
MSCDRI-7028F	2.2	1.5	4.8
MSCDRI-73F	2.2	1.5	4.8
MSCDRI-75F	2.2	1.5	4.8
MSCDRI-105F	3.2	2.5	5.6
MSCDRI-125F	3.2	2.5	8.6
MSCDRI-126F	3.2	2.5	8.6
MSCDRI-127F	3.2	2.5	8.6

WIRE WOUND TYPE

■ PRODUCT SPECIFICATIONS

Part No.	Inductance (μH)	DC Resistance (Ω) ± 20%								Permissible DC Current(A)Max.									
		6025F	63F	7028F	73F	75F	105F	125F	126F	127F	6025F	63F	7028F	73F	75F	105F	125F	126F	127F
1R2	1.2								0.0069										13.0
2R0	2.0								0.0117									10.00	
2R7	2.7								0.0094										10.0
3R3	3.3			0.037	0.023	0.020	0.0161					1.60	1.90	2.50	4.90				
3R9	3.9								0.0104										9.0
4R2	4.2								0.015									7.30	
4R7	4.7	0.0306	0.0284	0.045	0.036	0.030					1.50	1.60	1.50	1.70	2.00				
5R6	5.6						0.022			0.0116						3.80			7.8
6R0	6.0							0.0164									3.60		
6R8	6.8	0.0442	0.0354	0.059	0.041	0.039				0.0131	1.30	1.50	1.30	1.60	1.70				7.2
7R0	7.0								0.0177									5.70	
100	10	0.0573	0.0532	0.083	0.053	0.036	0.0364	0.0215	0.0202	0.0156	1.00	1.30	1.10	1.40	1.30	3.00	3.40	5.00	5.5
150	15	0.085	0.0745	0.13	0.075	0.052	0.0472	0.0259	0.0237	0.0184	0.88	1.00	0.88	1.10	1.10	2.40	2.80	4.20	4.7
220	22	0.122	0.104	0.18	0.11	0.061	0.0591	0.0338	0.0316	0.0263	0.73	0.77	0.75	0.96	0.90	2.10	2.30	3.50	4.0
330	33	0.18	0.148	0.24	0.16	0.096	0.0815	0.0415	0.0406	0.0395	0.59	0.69	0.65	0.75	0.82	1.60	1.90	2.80	3.2
470	47	0.24	0.21	0.34	0.24	0.125	0.10	0.0618	0.0578	0.0528	0.48	0.59	0.54	0.67	0.75	1.40	1.60	2.40	2.7
680	68	0.37	0.29		0.31	0.175	0.14	0.0832	0.0787	0.0778	0.42	0.50		0.59	0.60	1.20	1.30	2.00	2.0
101	100	0.50	0.43		0.45	0.25	0.20	0.1170	0.123	0.125	0.33	0.42		0.45	0.50	1.00	1.10	1.60	1.9
151	150				0.65	0.34	0.35	0.19		0.175				0.37	0.40	0.79	0.88		1.5
221	220				1.05	0.52	0.47	0.27	0.273	0.258				0.29	0.33	0.65	0.72	1.00	1.3
331	330				1.67	0.74	0.68	0.41						0.22	0.25	0.54	0.59		
471	470				2.05	1.05	1.03	0.52						0.20	0.22	0.47	0.49		
681	680				3.15	1.48	1.60	0.76						0.16	0.20	0.38	0.43		
102	1000				4.78	2.28	2.80	1.12						0.13	0.14	0.32	0.34		
152	1500						3.40	1.73								0.22	0.29		

1. TEST FREQ. (L): @ 1KHz/250mV

2. TOLERANCE OF INDUCTANCE: 1.2~7.0 μH ± 30%(N) 10~1500 μH ± 20%(M)

3. Rated current : value obtained when current flows and the temperature has risen to 25°C or when DC current flows and the initial values of inductance has Flaaen by (MSCDRI-6025F, 63F 30%, MSCDRI-7028F, 73F,75F 15%, MSCDRI-105F, 125F, 126F, 127F 10%)whichever is smaller.

■ FEATURES

Low DC resistance & for large currents
Flat bottom surface allows for reliable mounting onto the board.
Available on tape and reel for surface mounting.

■ APPLICATIONS

Ideal for a variety of DC/DC converter inductor applications.
Portable telephones.
Personable computers.

■ PRODUCT IDENTIFICATION

① ② ③ ④ ⑤
MSCDRI - 5020F - 100M □ □

- ① Product Code
- ② Dimensions Code
- ③ Inductance Code
- ④ Tolerance Code
- ⑤ Pattern Code

■ PRODUCT SERIES

NOTES: DIMENSION IN mm

Part No.	A(Max.)	B(Max.)	C(Max.)	D±0.3	E(Typ.)	F(Typ.)
MSCDRI-5020F	5.3	5.3	2.0	5.8	1.6	4.2
MSCDRI-5030F	5.3	5.3	3.0	5.8	1.6	4.2

■ LAND PATTERN

NOTES: DIMENSION IN mm

Part No.	G	H
MSCDRI-5020F	5.3	3.7
MSCDRI-5030F	5.3	3.7

WIRE WOUND TYPE

■ PRODUCT SPECIFICATIONS

Part No.	Inductance (μ H)	DC Resistance(Ω)Max.		Permissible DC Current(A)Max.	
		5020F	5030F	5020F	5030F
1R1	1.1		0.020		3.87
1R2	1.2	0.044		2.15	
2R0	2.0		0.027		2.92
2R2	2.2	0.059		1.63	
3R3	3.3		0.034		2.36
3R5	3.5	0.073		1.34	
4R7	4.7	0.087	0.045	1.14	1.87
6R8	6.8	0.105	0.068	0.95	1.51
100	10	0.150	0.090	0.76	1.33
150	15	0.210	0.142	0.63	1.05
220	22	0.275	0.208	0.56	0.86
330	33	0.455	0.257	0.44	0.72
470	47	0.730	0.352	0.35	0.62
680	68	0.935	0.525	0.30	0.51
101	100	1.500	0.801	0.23	0.43

1. TEST FREQ. (L):@ 100KHz/250mV
2. TOLERANCE OF INDUCTANCE: 1.1~6.8 μ H \pm 30%(N) 10~100 μ H \pm 20%(M)
3. The rated current indicates the value of current when the inductance is 35% lower than its initial value at DC superposition or DC current when $\Delta t=40^{\circ}\text{C}$, whichever is lower.