

# COIL SPECIFICATION

<b>PART NAME</b>	<b>DATA SHEET</b>	<b>DRAW NO</b>	950283		
		<b>SPEC (TYPE)</b>	MSCDRI-6025F-SERIES	<b>REV</b>	00

## ■ PRODUCT IDENTIFICATION

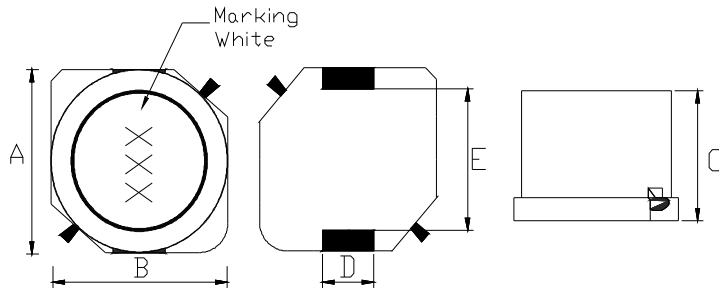
①      ②      ③    ④

MSCDRI-6025F-XXXM

- ① Product Code
- ② Dimensions Code
- ③ Inductance Code
- ④ Tolerance Code

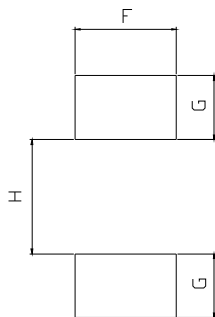
Code	Tolerance
M	±20%
N	±30%

## ■ SHAPE&DIMENSION (mm)



A	6.0± 0.3
B	6.0± 0.3
C	2.5± 0.3
D	2.0±0.2
E	4.0Typ.

## ■ LAND PATTERN (mm)



F	2.2
G	1.5
H	4.0

APPROVED BY	CHECKED BY	DRAWN BY



# COIL SPECIFICATION

<b>PART NAME</b>	<b>DATA SHEET</b>	<b>DRAW NO</b>	950283		
		<b>SPEC (TYPE)</b>	MSCDRI-6025F-SERIES	REV	00

PART NO	Inductance	Test	DCR	Rated current
	( $\mu$ H)	Frequency	( $\Omega$ ) $\pm$ 20%	(A) Max.
MSCDRI-6025F-4R7	4.7	1KHz	0.0306	1.50
MSCDRI-6025F-6R8	6.8		0.0442	1.30
MSCDRI-6025F-100	10		0.0573	1.00
MSCDRI-6025F-150	15		0.085	0.88
MSCDRI-6025F-220	22		0.122	0.73
MSCDRI-6025F-330	33		0.18	0.59
MSCDRI-6025F-470	47		0.24	0.48
MSCDRI-6025F-680	68		0.37	0.42
MSCDRI-6025F-101	100		0.50	0.33

TEST FREQ. (L): @1KHz/0.25V

Tolerance of inductance: 4.7  $\mu$  H~6.8  $\mu$  H  $\pm$ 30%(N)      10  $\mu$  H~100  $\mu$  H  $\pm$ 20%(M)

The max. permissible DC current is the DC current applied which causes 30% reduction of its initial inductance value, or the coil temperature to rise by 40°C, whichever is lower.



# COIL SPECIFICATION

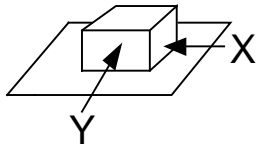
<b>PART NAME</b>	<b>GENERAL CHARACTERISTIC</b>	<b>DRAW NO</b>	950283		
		<b>SPEC (TYPE)</b>	MSCDRI-6025F-SERIES	<b>REV</b>	00

**Operating Temperature** -20°C to +85°C (Contain Heating coil)

**Storage** -20°C to +85°C

**Appearance Inspection** No external defects by visual inspection

**Terminal Strength** After soldering, between copper plate and terminals of coil, Push in two directions of X, Y with standing as below conditions. Terminal should not peeled off. (Refer to figure at right)  
5.0 N 60sec. MSCDRI-6025F



**Heat endurance of reflow soldering** Refer to below figure

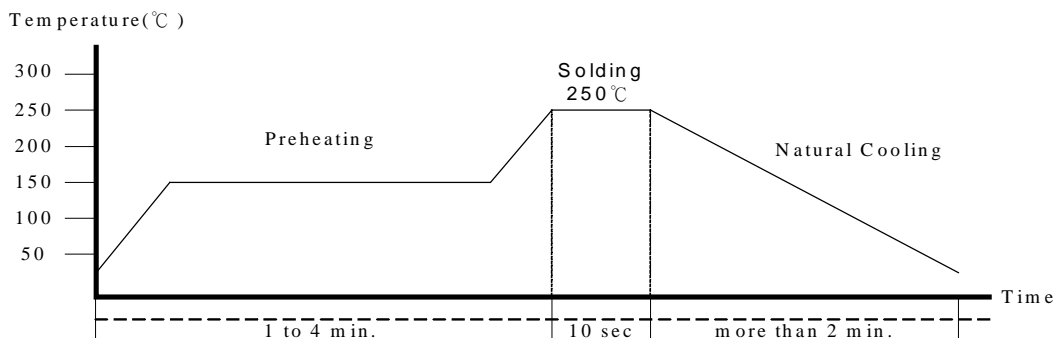
**Insulating resistance** Over 100MΩ at 100V D.C. between wire and core.

**Dielectric strength** No dielectric breakdown at 100V D.C. for 1 minute Between wire and core.

**Temperature characteristic** Inductance coefficient  $(0\sim 2,000)\times 10^{-6}/^{\circ}\text{C}$   $(-25^{\circ}\text{C}\sim +80^{\circ}\text{C})$

**Humidity characteristic** Inductance deviation with  $\pm 5.0\%$ , after 96 hours in 90~95% relative humidity at  $40\pm 2^{\circ}\text{C}$  and 1 hour drying under normal condition.

**Vibration resistance** Inductance deviation with  $\pm 5.0\%$  after vibration for 1 hour. In each of three orientations at sweep vibration  $(10\sim 55\sim 10\text{Hz})$  with 1.5mm p-p amplitude.



A test is made under the above mentioned condition, and it is kept for 2 hours in the normal temperature and humidity. After that, no mechanical and electrical defect should be found.



# COIL SPECIFICATION

<b>PART NAME</b>	<b>MATERIAL LIST</b>	<b>DRAW NO</b>	950283		
		<b>SPEC (TYPE)</b>	MSCDRI-6025F-SERIES	<b>REV</b>	00

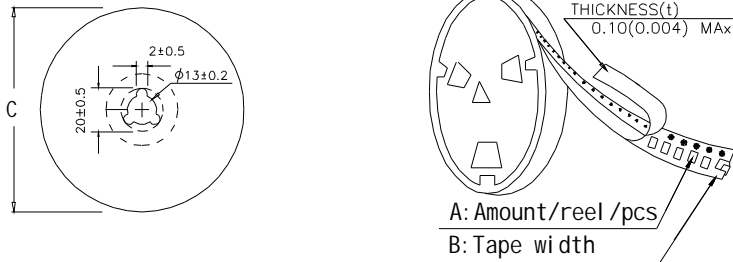
**■ MATERIAL LIST**

ITEM	MATERIAL	SUPPLIER OF MATERIAL	UL NO.
CORE	DR 4.5*1.9 RI 5.9*1.7*4.9	SHINN DER ELECTRONIC CO., LTD. OR EQUIV.	
WIRE	MAGNET WIRE 2UEW	PACIFIC ELECTRICAL CO., LTD. TA YA ELECTRICAL CO., LTD.	E84081 E84201
Wire Temperature Classification	155°C		
SOLDER	M705EA SN 3Ag-0.5Cu	SOLNET METAL INDUSTRY CO., LTD. OR EQUIV.	
EPOXY	9001	SHAW HUOW ENTERPRISE CO., LTD. OR EQUIV.	E105888
BASE	L.C.P	SHEN SHENG ENTERPRISE CO., LTD. OR EQUIV.	E54705

# COIL SPECIFICATION

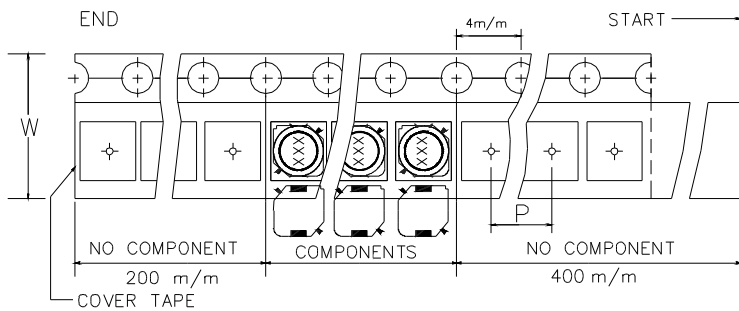
PART NAME	DATA SHEET	DRAW NO	950283		
		SPEC (TYPE)	MSCDRI-6025F-SERIES	REV	00

## REEL DIMENSION (mm)



A	2500
B	16
C	330
MATERIAL	PLASTIC

## CARRIER DIMENSION (mm)



W	16
P	8

## TOP COVER TAPE

The force for tearing off cover tape is 10to70 grams in the arrow direction.

